



FLEX
UPHOLSTERY



ASSEMBLY INSTRUCTIONS

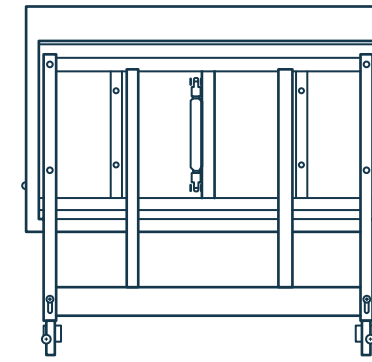
DUX, DUXIANA and DUX Pascal-systems are registered
trademark owed by Dux Design AB 2012.
Printed 2021.02.01

dux.com

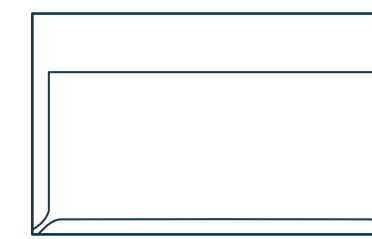


HARDWARE

x1 frame

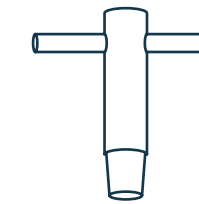


x1 upholstery



TOOLS NEEDED

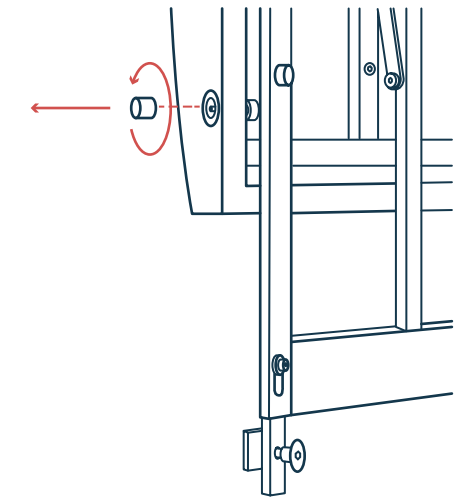
Special hand tool for the Easy touch release



ASSEMBLING

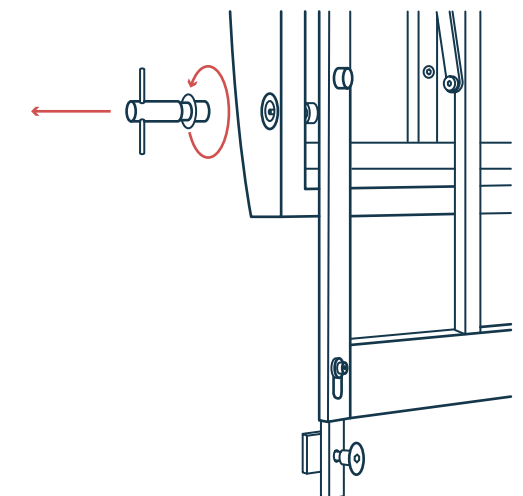
I. REMOVE BUTTONS

Remove the black button (Easy touch), by turning it counter-clockwise.



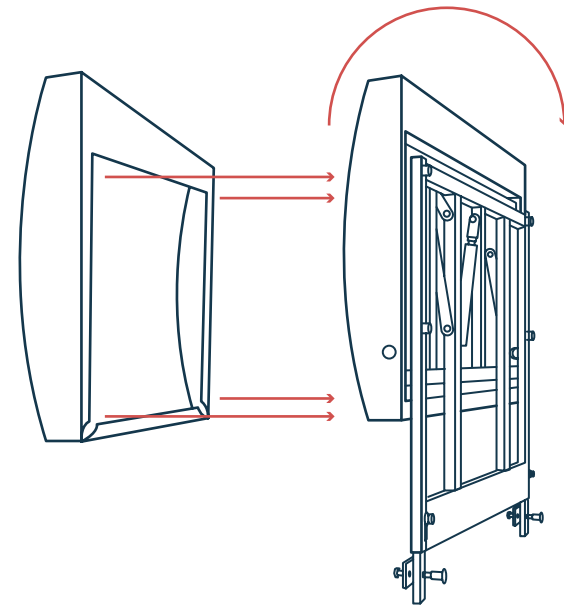
II. REMOVE THE SLEEVE

Remove the sleeve, use the special hand tool and turn it counter-clockwise.



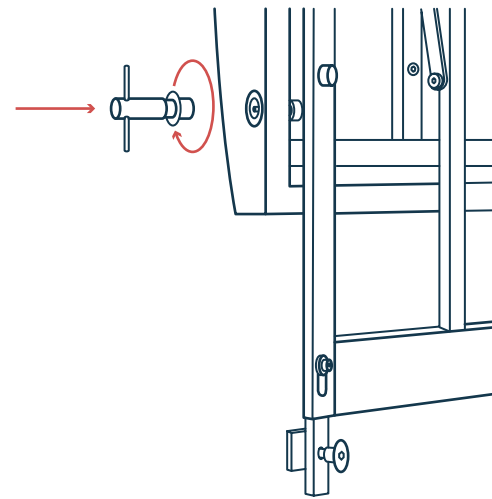
III. PLACE THE UPHOLSTERY

Place the upholstery at the front of the headboard, fold the sides back over.



IV. PUT THE SLEEVE BACK

Put the sleeve back, use the special hand tool and turn it clockwise.



IV. PUT THE BLACK BUTTONS BACK

Put the black buttons back, turn it clockwise.

